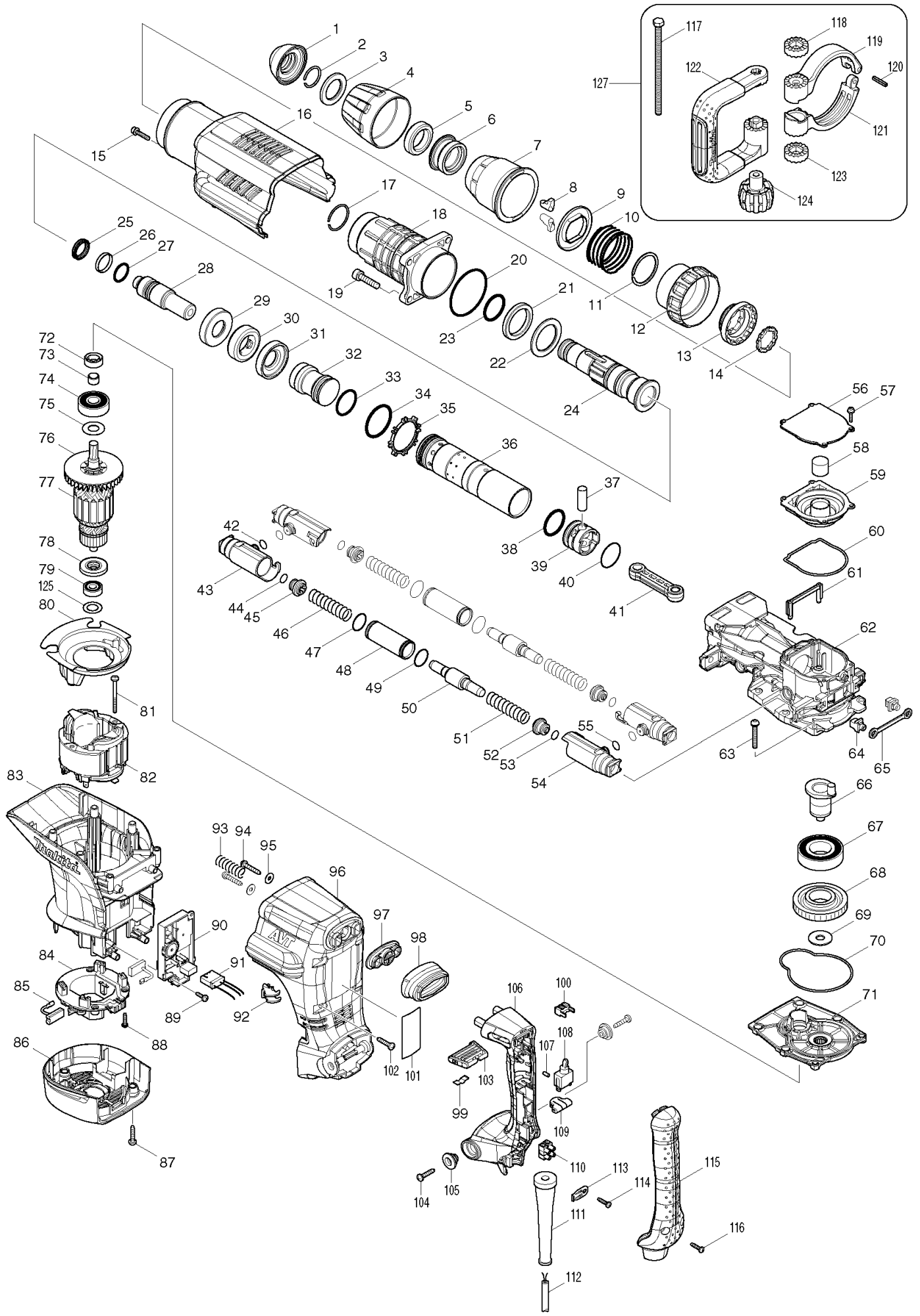


Nr.	Art nr.	Namn
1	424165-8	TOOL HOLDER CAP
2	233973-4	RING SPRING 26
3	267386-7	FLAT WASHER 30
4	450894-7	CHUCK COVER
5	262147-0	RUBBER RING 30
6	324987-5	CHUCK RING
7	450895-5	RELEASE COVER
8	310279-8	TOOL RETAINER
9	346015-6	SPRING GUIDE
10	234086-4	COMPRESSION SPRING 56
11	961232-3	RETAINING RING WR-45
12	450893-9	CHANGE RING COVER
13	324969-7	CHANGE RING
14	324988-3	LOCK RING
15	922243-3	HEX. SOCKET HEAD BOLT M5X25
16	450902-4	HOUSING COVER
17	233970-0	RING SPRING 35
18	158858-2	BARREL COMPLETE
19	922456-6	HEX. SOCKET HEAD BOLT M8X35
20	213720-9	O RING 67
21	262148-8	RUBBER RING 39
22	267387-5	FLAT WASHER 39
23	213079-4	O-RING 35.5
24	324985-9	TOOL HOLDER
25	213980-3	X-RING 21
26	213431-6	FLUORIDE RING 28
27	213394-6	O RING 23
28	324990-6	IMPACT BOLT
29	324993-0	SHOULDER SLEEVE
30	262149-6	RUBBER RING 24
31	324993-0	SHOULDER SLEEVE
32	326002-1	STRIKER
33	213499-2	O-RING 31.5
34	213581-7	O-RING 44
35	450889-0	ONE WAY VALVE GUIDE
36	331925-0	CYLINDER 40
37	268121-6	PIN 12
38	213499-2	O-RING 31.5
39	450961-8	PISTON
40	213149-9	O RING 35
41	450890-5	CONNECTING ROD
42	213118-0	O RING 12
43	318361-7	PIPE HOLDER
44	213118-0	O RING 12
45	419773-8	SPRING GUIDE
46	234085-6	COMPRESSION SPRING 15
47	213953-6	O RING 24
48	331745-2	PIPE 22

49	213953-6	O RING 24
50	324992-2	COUNTER WEIGHT
51	234085-6	COMPRESSION SPRING 15
52	419773-8	SPRING GUIDE
53	213118-0	O RING 12
54	318361-7	PIPE HOLDER
55	213118-0	O RING 12
56	450899-7	CRANK CAP COVER
57	911133-5	PAN HEAD SCREW M4X18
58	443127-7	FILTER
59	450898-9	CRANK CAP
60	424166-6	SEAL RING
61	450892-1	AIR PIPE
62	318363-3	CRANK HOUSING
63	266482-8	H.S.BUTTON HEAD SCREW M6X40
64	419008-7	FIX GUIDE
65	423366-5	CUSHION PLATE
66	324994-8	CRANK SHAFT
67	211424-7	BALL BEARING 6206LLU
68	226691-1	HELICAL GEAR 57
69	267398-0	FLAT WASHER 12
70	424167-4	SEAL RING
71	158859-0	GEAR HOUSING COMPLETE
72	213231-4	OIL SEAL 15
73	331596-3	SLEEVE 12
74	211249-9	BALL BEARING 6302LLU
75	267397-2	FLAT WASHER 15
77	517818-7	ARMATURE ASS'Y 220-240V
78	681642-5	INSULATION WASHER
79	211289-7	BALL BEARING 6000DDW
80	450900-8	BAFFLE PLATE
81	266095-5	TAPPING SCREW 5X55
82	636303-2	FIELD 220-240V
83	450904-0	MOTOR HOUSING
84	638447-4	BRUSH HOLDER UNIT
85	194412-8	Hillet CB-171
86	450901-6	REAR COVER
87	266041-8	TAPPING SCREW 5X25
88	265995-6	TAPPING SCREW 4X18
89	266192-7	TAPPING SCREW 4X14
90	631871-0	CONTROLLER
91	638650-7	LEAD UNIT
92	419010-0	LENS
93	233434-4	COMPRESSION SPRING 11
94	266173-1	TAPPING SCREW 5X30
95	253807-5	FLAT WASHER 5
96	450905-8	HANDLE BASE
97	419783-5	DUST COVER SUPPORT
98	424001-8	DUST COVER

99	232209-8	LEAF SPRING
100	450891-3	LEVER STOPPER
101	866631-3	HM1213C NAME PLATE
102	266041-8	TAPPING SCREW 5X25
103	450896-3	SLIDE LEVER
104	266041-8	TAPPING SCREW 5X25
105	313124-6	SHOULDER SLEEVE 6
106	450906-6	HANDLE
107	263027-3	RUBBER PIN 4
108	651423-1	SWITCH
109	423379-6	SPONGE SHEET
110	654531-7	TERMINAL BLOCK 2P
111	682560-0	CORD GUARD 10
112	695123-3	POWER SUPPLY CORD 1.5-2-4.0
113	687169-3	STRAIN RELIEF
114	265995-6	TAPPING SCREW 4X18
115	450908-2	HANDLE COVER
116	265995-6	TAPPING SCREW 4X18
117	265439-6	HEX. BOLT M8X150
118	417002-3	SIDE HANDLE CAM
119	318505-9	SIDE HANDLE BASE 82A
120	951166-8	SPRING PIN 5-24
121	318506-7	SIDE HANDLE BASE 82B
122	417003-1	Sivukahva
123	417002-3	SIDE HANDLE CAM
124	252640-2	WING NUT M8
125	267164-5	FLAT WASHER 15



Nr.	Art nr.	Namn
1	424165-8	TOOL HOLDER CAP
2	233973-4	RING SPRING 26
3	267386-7	FLAT WASHER 30
4	450894-7	CHUCK COVER
5	262147-0	RUBBER RING 30
6	324987-5	CHUCK RING
7	450895-5	RELEASE COVER
8	310279-8	TOOL RETAINER
9	346015-6	SPRING GUIDE
10	234086-4	COMPRESSION SPRING 56
11	961232-3	RETAINING RING WR-45
12	450893-9	CHANGE RING COVER
13	324969-7	CHANGE RING
14	324988-3	LOCK RING
15	922243-3	HEX. SOCKET HEAD BOLT M5X25
16	450902-4	HOUSING COVER
17	233970-0	RING SPRING 35
18	158858-2	BARREL COMPLETE
19	922456-6	HEX. SOCKET HEAD BOLT M8X35
20	213720-9	O RING 67
21	262148-8	RUBBER RING 39
22	267387-5	FLAT WASHER 39
23	213079-4	O-RING 35.5
24	324985-9	TOOL HOLDER
25	213980-3	X-RING 21
26	213431-6	FLUORIDE RING 28
27	213394-6	O RING 23
28	324990-6	IMPACT BOLT
29	324993-0	SHOULDER SLEEVE
30	262149-6	RUBBER RING 24
31	324993-0	SHOULDER SLEEVE
32	326002-1	STRIKER
33	213499-2	O-RING 31.5
34	213581-7	O-RING 44
35	450889-0	ONE WAY VALVE GUIDE
36	331925-0	CYLINDER 40
37	268121-6	PIN 12
38	213499-2	O-RING 31.5
39	450961-8	PISTON
40	213149-9	O RING 35
41	450890-5	CONNECTING ROD
42	213118-0	O RING 12
43	318361-7	PIPE HOLDER
44	213118-0	O RING 12
45	419773-8	SPRING GUIDE
46	234085-6	COMPRESSION SPRING 15
47	213953-6	O RING 24
48	331745-2	PIPE 22

49	213953-6	O RING 24
50	324992-2	COUNTER WEIGHT
51	234085-6	COMPRESSION SPRING 15
52	419773-8	SPRING GUIDE
53	213118-0	O RING 12
54	318361-7	PIPE HOLDER
55	213118-0	O RING 12
56	450899-7	CRANK CAP COVER
57	911133-5	PAN HEAD SCREW M4X18
58	443127-7	FILTER
59	450898-9	CRANK CAP
60	424166-6	SEAL RING
61	450892-1	AIR PIPE
62	318363-3	CRANK HOUSING
63	266482-8	H.S.BUTTON HEAD SCREW M6X40
64	419008-7	FIX GUIDE
65	423366-5	CUSHION PLATE
66	324994-8	CRANK SHAFT
67	211424-7	BALL BEARING 6206LLU
68	226691-1	HELICAL GEAR 57
69	267398-0	FLAT WASHER 12
70	424167-4	SEAL RING
71	158859-0	GEAR HOUSING COMPLETE
72	213231-4	OIL SEAL 15
73	331596-3	SLEEVE 12
74	211249-9	BALL BEARING 6302LLU
75	267397-2	FLAT WASHER 15
77	517818-7	ARMATURE ASS'Y 220-240V
78	681642-5	INSULATION WASHER
79	211289-7	BALL BEARING 6000DDW
80	450900-8	BAFFLE PLATE
81	266095-5	TAPPING SCREW 5X55
82	636303-2	FIELD 220-240V
83	450904-0	MOTOR HOUSING
84	638447-4	BRUSH HOLDER UNIT
85	195844-2	CARBON BRUSH CB-175
86	450901-6	REAR COVER
87	266041-8	TAPPING SCREW 5X25
88	265995-6	TAPPING SCREW 4X18
89	266192-7	TAPPING SCREW 4X14
90	631871-0	CONTROLLER
91	638650-7	LEAD UNIT
92	419010-0	LENS
93	233434-4	COMPRESSION SPRING 11
94	266173-1	TAPPING SCREW 5X30
95	253807-5	FLAT WASHER 5
96	450905-8	HANDLE BASE
97	419783-5	DUST COVER SUPPORT
98	424001-8	DUST COVER

99	232209-8	LEAF SPRING
100	450891-3	LEVER STOPPER
101	866631-3	HM1213C NAME PLATE
102	266041-8	TAPPING SCREW 5X25
103	450896-3	SLIDE LEVER
104	266041-8	TAPPING SCREW 5X25
105	313124-6	SHOULDER SLEEVE 6
106	450906-6	HANDLE
107	263027-3	RUBBER PIN 4
108	651423-1	SWITCH
109	423379-6	SPONGE SHEET
110	654531-7	TERMINAL BLOCK 2P
111	682560-0	CORD GUARD 10
112	695123-3	POWER SUPPLY CORD 1.5-2-4.0
113	687169-3	STRAIN RELIEF
114	265995-6	TAPPING SCREW 4X18
115	450908-2	HANDLE COVER
116	265995-6	TAPPING SCREW 4X18
117	265439-6	HEX. BOLT M8X150
118	417002-3	SIDE HANDLE CAM
119	318505-9	SIDE HANDLE BASE 82A
120	951166-8	SPRING PIN 5-24
121	318506-7	SIDE HANDLE BASE 82B
122	417003-1	Sivukahva
123	417002-3	SIDE HANDLE CAM
124	252640-2	WING NUT M8
125	267164-5	FLAT WASHER 15